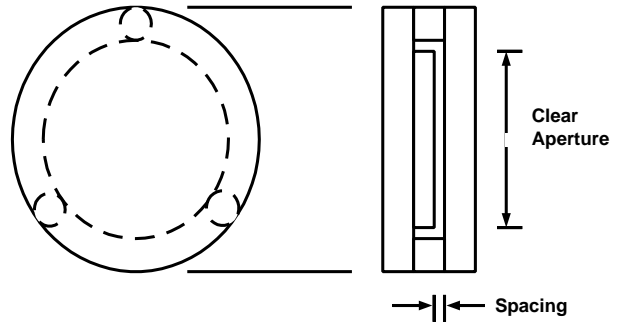


Etalons (Fixed Air Spaced)



Specifications:

Material Schlieren grade fused silica
 Parallelism Less than .5 arc seconds
 Surface Flatness 1/20 at 632.8 nm
 Surface Quality 10/5



		Spacing					
Cell Diameter	Clear Aperture	5 um	10 um	25 um	50 um	75 um	100 um
1.25" (31.8mm)	12.7mm (.500")	EA50-05u	EA50-10u	EA50-25u	EA50-50u	EA50-75u	EA50-004

		Spacing					
Cell Diameter	Clear Aperture	.25 mm	.50 mm	.75 mm	1.0 mm	2.0 mm	3.0 mm
1.25" (31.8mm)	12.7mm (.500")	EA50-010	EA50-020	EA50-030	EA50-039	EA50-079	EA50-118
2.00" (50.8mm)	25.4mm (1.00")	EA10-010	EA10-020	EA10-030	EA10-039	EA10-079	EA10-118